



US006869653B2

(12) **United States Patent**
Ling et al.

(10) **Patent No.:** **US 6,869,653 B2**
(45) **Date of Patent:** **Mar. 22, 2005**

(54) **PORT TUBE CLOSURE ASSEMBLY**

(75) Inventors: **Michael T. K. Ling**, Vernon Hills, IL (US); **William S. Hurst**, Burlington, WI (US); **Lecon Woo**, Libertyville, IL (US); **Algirdas Bindokas**, Clarendon Hills, IL (US); **Patrick T. Ryan**, Crystal Lake, IL (US); **Scott D. Edwards**, Libertyville, IL (US); **Henk P. Blom**, Mundelein, IL (US); **Atul R. Khare**, Crystal Lake, IL (US)

(73) Assignee: **Baxter International Inc.**, Dearfield, IL (US)

(*) Notice: Subject to any disclaimer, the term of this patent is extended or adjusted under 35 U.S.C. 154(b) by 0 days.

3,589,422 A	6/1971	Bellamy et al.	150/1
3,642,047 A	2/1972	Waage	150/8
3,746,001 A	7/1973	Ralston, Jr.	128/214
3,769,136 A	10/1973	Ospelt	156/308
3,788,374 A	1/1974	Saijo	150/1
3,861,973 A	1/1975	Koch	156/143
3,866,631 A	2/1975	Chudgar	138/125
3,869,338 A	3/1975	Kavesh	161/165
3,900,640 A	8/1975	Vecchiotti	428/36
3,911,051 A	10/1975	Schouten et al.	260/876 B
3,928,110 A	12/1975	Arconti et al.	156/308
3,951,148 A	4/1976	Herb	128/272
3,963,026 A	6/1976	Herb	128/272
3,978,859 A	9/1976	Goodenough et al.	128/272
3,986,507 A	10/1976	Watt	128/214 D
3,991,912 A	11/1976	Soto	222/89
4,049,034 A	9/1977	Vcelka et al.	150/8
4,137,117 A	1/1979	Jones	156/294

(List continued on next page.)

(21) Appl. No.: **09/756,490**

(22) Filed: **Jan. 8, 2001**

(65) **Prior Publication Data**

US 2002/0090476 A1 Jul. 11, 2002

(51) **Int. Cl.**⁷ **C08L 47/00**

(52) **U.S. Cl.** **428/36.9**; 428/476.1; 428/516; 428/519; 428/521

(58) **Field of Search** 428/35.7, 36.9, 428/476.1, 516, 519, 521

(56) **References Cited**

U.S. PATENT DOCUMENTS

2,324,237 A	7/1943	Reichel	215/32
2,342,215 A	2/1944	Perelson	215/38
2,562,389 A	7/1951	Piazzze	229/62
2,808,829 A	10/1957	Butler	128/272
2,894,510 A	7/1959	Bellamy	128/272
2,940,444 A	6/1960	Beall	128/214
3,030,952 A	4/1962	Elder	128/214
3,161,310 A	12/1964	Barton et al.	215/1
3,442,737 A	5/1969	Reed et al.	156/158
3,514,359 A	5/1970	Frese	156/308

FOREIGN PATENT DOCUMENTS

EP	0564231 B1	10/1993
EP	0623651 B1	11/1994
EP	0765740 A3	4/1997
EP	1059479 A1	12/2000
WO	WO 95/13918	* 5/1995

OTHER PUBLICATIONS

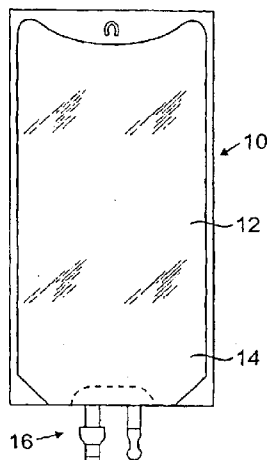
PCT Appl PCT/US 02/00299 Written Opinion mailed May 21, 2003.

Primary Examiner—Sandra M. Nolan

(57) **ABSTRACT**

The present invention provides a flowable material container closure assembly having a port tube and a membrane tube. The port tube (I) has a first layer and a second layer, (A) the first layer is a polymer blend and (B) the second layer is disposed coaxially within the first layer; and the membrane tube (II) is disposed coaxially within the port tube, the membrane tube has an outer layer, a core layer and an inner layer.

10 Claims, 1 Drawing Sheet



U.S. PATENT DOCUMENTS

4,187,893 A	2/1980	Bujan	150/8	5,188,628 A	2/1993	Rani et al.	604/405
4,201,208 A	5/1980	Cambio, Jr.	128/214.2	5,222,950 A	6/1993	Eisenberg	604/408
4,240,481 A	12/1980	Bayham	150/8	5,251,982 A	10/1993	Stenstrom et al.	383/209
4,303,067 A	12/1981	Connolly et al.	128/272	5,259,843 A	11/1993	Watanabe et al.	604/256
4,307,766 A	12/1981	Tanokura	150/8	5,259,894 A	11/1993	Sampson	156/64
4,327,726 A	5/1982	Kwong et al.	128/272	5,297,599 A	3/1994	Bucheli	141/329
4,340,049 A	7/1982	Munsch	128/214 R	5,303,751 A	4/1994	Slater et al.	141/329
4,362,158 A	12/1982	Lena	128/272	5,308,347 A	5/1994	Sunago et al.	604/403
4,386,622 A	6/1983	Munsch	137/1	5,330,464 A	7/1994	Mathias et al.	604/415
4,393,909 A	7/1983	Pearson	150/8	5,334,180 A	8/1994	Adolf et al.	604/411
4,412,573 A	11/1983	Zdeb	604/415	5,336,351 A	8/1994	Meyers	156/158
4,441,538 A	4/1984	Larkin et al.	604/145	5,342,345 A	8/1994	Spencer	604/408
4,465,488 A	8/1984	Richmond et al.	604/414	5,342,346 A	8/1994	Honda et al.	604/413
4,479,989 A	10/1984	Mahal	428/35	5,352,210 A	10/1994	Marrucchi	604/180
4,484,916 A	11/1984	McPhee	604/256	5,391,150 A	2/1995	Richmond	604/111
4,516,977 A	5/1985	Herbert	604/415	5,395,365 A	3/1995	Weiler et al.	604/415
4,523,691 A	6/1985	Larkin et al.	220/266	5,416,142 A	5/1995	Bush et al.	524/113
4,524,880 A	6/1985	Danielson et al.	220/288	5,423,794 A	6/1995	Adolf et al.	604/415
4,547,900 A	10/1985	Larkin et al.	383/5	5,458,593 A	10/1995	Macabasco et al.	604/403
4,551,138 A	11/1985	Shinohara	604/262	5,514,123 A	5/1996	Adolf et al.	604/411
4,567,999 A	2/1986	Hjertman et al.	222/83	5,520,641 A	5/1996	Behnke et al.	604/86
4,576,602 A	3/1986	Levin et al.	604/408	5,529,821 A	6/1996	Ishikawa et al.	428/36.91
4,578,074 A	3/1986	van Leerdam	604/408	5,540,674 A	7/1996	Karas et al.	604/415
4,586,928 A	5/1986	Barnes et al.	604/408	5,562,127 A	10/1996	Fanselow et al.	138/137
4,588,396 A	5/1986	Stroebel et al.	604/246	5,573,527 A	11/1996	Macabasco et al.	604/410
4,588,777 A	5/1986	Hotta	525/93	5,584,825 A	12/1996	Smith	604/319
4,596,573 A	6/1986	Donnan et al.	604/415	5,601,889 A	2/1997	Chundury et al.	428/34.3
4,607,671 A	8/1986	Aalto et al.	141/329	5,662,642 A	9/1997	Isono et al.	604/403
4,610,374 A	9/1986	Buehler	222/83	5,672,162 A	9/1997	Smith	604/319
4,632,673 A	12/1986	Tiitola et al.	604/415	5,728,087 A	3/1998	Niedospial, Jr.	604/408
4,636,204 A	1/1987	Christopherson et al. ...	604/283	5,772,652 A	6/1998	Zielinski	604/411
4,666,549 A	5/1987	Boultinghouse	156/308.6	5,772,880 A	6/1998	Lynn et al.	210/435
4,676,775 A	6/1987	Zolnierczyk et al.	604/28	5,776,116 A	7/1998	Lopez et al.	604/283
4,723,956 A	2/1988	Schnell et al.	604/414	5,779,832 A	7/1998	Kocher	156/73.1
4,785,859 A	11/1988	Gustavsson et al.	141/313	5,810,398 A	9/1998	Matkovich	285/3
4,808,179 A	2/1989	Lindstam	604/408	5,814,384 A	9/1998	Akkapeddi et al.	428/35.7
4,838,875 A	6/1989	Somor	604/262	5,928,740 A	7/1999	Wilhoit et al.	
4,857,129 A	8/1989	Jensen et al.	156/273.7	5,928,744 A	7/1999	Heilmann et al.	428/36.3
4,869,384 A	9/1989	Ogle, II	215/247	5,998,019 A	12/1999	Rosenbaum et al.	428/345
4,917,684 A	4/1990	Yasumura	604/468	6,004,311 A	12/1999	Heilmann et al.	604/533
4,950,347 A	8/1990	Futagawa	156/272.4	6,004,636 A *	12/1999	Nicola et al.	428/35.2
4,969,883 A	11/1990	Gilbert et al.	604/414	6,019,750 A	2/2000	Fowles et al.	604/403
5,071,413 A	12/1991	Utterberg	604/283	6,019,751 A	2/2000	Gabbard et al.	604/408
5,084,042 A	1/1992	McPhee	604/415	6,022,344 A	2/2000	Meijer et al.	604/533
5,088,995 A	2/1992	Packard et al.	604/415	6,083,194 A	7/2000	Lopez	604/28
5,114,768 A	5/1992	Swedberg	428/36.91	6,127,009 A	10/2000	Strassmann	428/35.2
5,122,126 A	6/1992	Sakakiyama	604/415	6,132,413 A	10/2000	Mathias et al.	604/403
5,125,919 A	6/1992	Miller et al.	604/408	6,146,362 A	11/2000	Turnbull et al.	604/256
5,137,527 A	8/1992	Miller et al.	604/415	6,179,821 B1	1/2001	Caspary et al.	604/403
5,167,816 A	12/1992	Kruger et al.	210/257.2	6,184,290 B1 *	2/2001	Ahmed et al.	525/98

* cited by examiner

FIG. 1

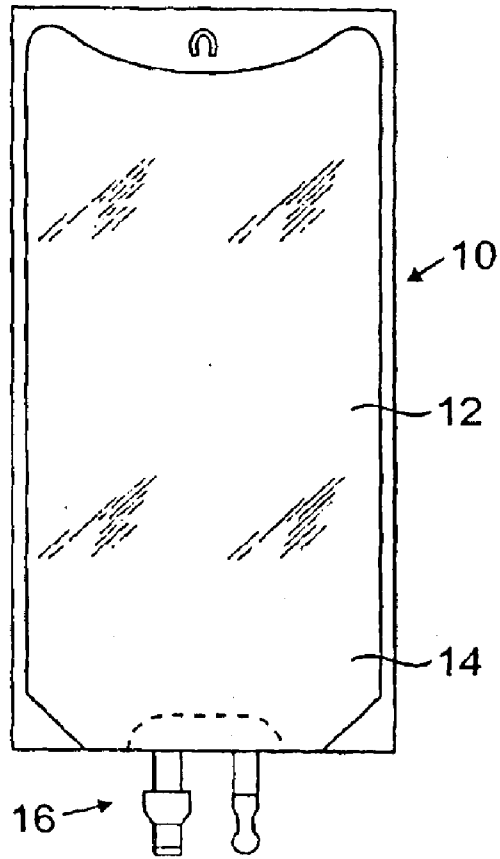
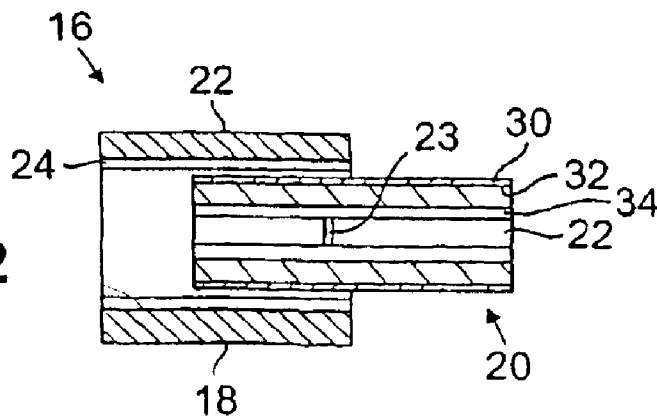


FIG. 2



PORT TUBE CLOSURE ASSEMBLY

TECHNICAL FIELD

The present invention relates generally to closures for flowable material containers and more particularly port tube assemblies for medical fluid containers.

BACKGROUND OF THE INVENTION

It is common medical practice to provide fluids to a patient either intravenously or enterally as a method of treating a patient for various medical conditions. Frequently, the fluids to be administered to a patient are contained in a flexible container. One method of forming a flexible container is to seal two sheets of flexible material about the periphery of the sheets to create a fluid tight chamber. A port tube assembly is frequently placed between the sheets during the sealing process to create a communication between the fluid chamber and the exterior of the container to provide a means of introducing fluid into or dispensing fluid from the container. The port tube assembly typically includes an outer port tube that attaches to the sidewalls of the container and a second tube called a membrane tube is disposed coaxially within the port tube. The membrane tube has a membrane or diaphragm that seals the port tube assembly. The membrane is typically punctured by a spike of a fluid administration set to place the contents of the container in fluid communication with a patient.

Port tubes and membrane tubes are fabricated from monolayer or multiple layered materials. The port tube typically has an inner layer of polyvinyl chloride and the membrane tube has an outer layer of PVC. To assemble the port tube assembly, the membrane tube is dipped in cyclohexanone or other suitable solvent and is inserted in a telescoping fashion into the port tube. The solvent melts the PVC of both the port tube and the membrane tube thereby hermetically sealing the membrane tube to the port tube.

There has been a great effort by many manufacturers of medical articles to replace PVC materials with non-PVC containing materials. Flexible PVC containers include low molecular weight additives known as plasticizers which may exude into the solutions contained in the container. U.S. Pat. Nos. 5,998,019 and 5,849,843, which are incorporated herein by reference and made a part hereof, disclose replacing PVC materials in medical fluid containers with non-PVC containing materials.

U.S. Pat. No. 5,356,709, assigned to the same assignee of the present invention, discloses a non-PVC coextruded medical grade port tubing. The tubing has an outer layer of a blend of polypropylene and SEBS a tie layer and a core layer of a blend of polyamide and EVA.

U.S. Pat. No. 5,533,992, assigned to the same assignee of the present invention, discloses a non-PVC material for fabricating medical tubings and medical containers. Polymer blends for fabricating medical tubing disclosed in the '992 Patent include polyurethane blended with one or more of the following: EVA, SEBS, PCCE, thermoplastic copolyester elastomers.

SUMMARY OF THE INVENTION

The present invention provides a non-PVC port tube, a non-PVC membrane tube and a non-PVC port tube assembly for use in flowable material containers such as medical and food containers.

The closure assembly includes a port tube and a membrane tube coaxially mounted therein. The port tube has a

first layer and a second layer. The first layer is a multiple component polymer blend having a first component in an amount by weight of from about 25% to about 50% by weight of the first layer. The first component is a first polyolefin selected from the group consisting of polypropylene and polypropylene copolymers. The second component is present in an amount by weight of from about 0% to about 50% by weight of the first layer and is a second polyolefin. The second polyolefin is selected from the group consisting of ethylene copolymers, ultra-low density polyethylene, polybutene, polybutadiene and butene ethylene copolymers. The third component is present in an amount by weight of from about 0% to about 40% by weight of the first layer and is a radio frequency ("RF") susceptible polymer. The RF polymer is selected from the group consisting of polyamides, ethylene acrylic acid copolymers, ethylene methacrylic acid copolymers, polyimides, polyurethanes, polyesters, polyureas, ethylene vinyl acetate copolymers with a vinyl acetate comonomer content from 12%–50% by weight of the copolymer, ethylene methyl acrylate copolymers with methyl acrylate comonomer content from 12%–40% by weight of the copolymer, ethylene vinyl alcohol with vinyl alcohol comonomer content from 12%–70% by mole percent of the copolymer. The fourth component is present in an amount from about 0% to about 40% and is a first thermoplastic elastomer.

The second layer of the port tube is disposed coaxially within the first layer and in a preferred form of the invention is a polymeric material that is susceptible of solvent bonding and more preferably includes a second thermoplastic elastomer. Optionally, the second layer can include an additive from about 0% to about 20% by weight of a polypropylene, high density polyethylene, silica, slip agents, fatty amides, acrawax and the like.

The membrane tube has an outer layer, a core layer and an inner layer. The outer layer of the membrane tube is capable of being solvent bonded to the second layer of the port tube. In a preferred form of the invention, the outer layer of the membrane tube (A) is a polymer blend of: (1) from about 0% to about 60% by weight of the outer layer of a third polyolefin and (2) from about 40% to about 100% by weight of the outer layer of a second component of a third thermoplastic elastomer. The core layer (B) is attached to the outer layer. In a preferred form of the invention, the core layer is a polymer blend of: (1) from about 35% to about 100% by weight of the core layer of a fourth thermoplastic elastomer and (2) from about 0% to about 65% by weight of the core layer of a fourth polyolefin.

The inner layer of the membrane tube is attached to the core layer on a side opposite of the outer layer. The inner layer is a multiple component polymer blend of and in a preferred form has: (1) from about 25% to about 55% by weight of the inner layer a fifth polyolefin, (2) from about 0% to about 50% by weight of the inner layer a sixth polyolefin selected from the group consisting of ethylene copolymers, ultra-low density polyethylene, polybutene, and butene ethylene copolymers; (3) from about 0% to about 40% by weight of the inner layer of a radio frequency susceptible polymer selected from the group consisting of polyamides, ethylene acrylic acid copolymers, ethylene methacrylic acid copolymers, polyimides, polyurethanes, polyesters, polyureas, ethylene vinyl acetate copolymers with a vinyl acetate comonomer content from 12%–50% by weight of the copolymer, ethylene methyl acrylate copolymers with methyl acrylate comonomer content from 12%–40% by weight of the copolymer, ethylene vinyl alcohol with vinyl alcohol comonomer content from

12%–70% by mole percent of the copolymer; and (4) from about 0% to about 40% by weight of the inner layer of a fifth thermoplastic elastomer.

BRIEF DESCRIPTION OF THE DRAWINGS

FIG. 1 is a plan view of a flowable material container with port closure assembly.

FIG. 2 is a cross-sectional view of a port tube of the present invention.

DETAILED DESCRIPTION

The present invention is susceptible of embodiments in many different forms. Preferred embodiments of the invention are disclosed with the understanding that the present disclosure is to be considered as exemplifications of the principles of the invention and are not intended to limit the broad aspects of the invention to the embodiments illustrated.

FIG. 1 shows a flowable material container **10** having sidewalls **12** sealed along peripheral edges to define a chamber **14** therebetween. A port tube closure assembly **16** provides access to the contents of the container. The container **10** is preferably fabricated from a non-PVC containing material. In a preferred form of the invention the sidewalls **12** are fabricated from a multiple component polymer alloy such as those disclosed in detail in U.S. Pat. No. 5,686,527 which is incorporated herein by reference and made a part hereof. One particularly suitable polymer alloy is a blend of polypropylene, ultra-low density polyethylene, a polyamide and a styrene and hydrocarbon block copolymer. The container **10** shown in FIG. 1 is particularly suitable for medical applications such as storage and delivery of I.V. solutions, peritoneal dialysis solutions, pharmaceutical drugs and blood and blood components to name a few. It is contemplated that such a container can also be used to store food products, serve as a drain bag for peritoneal dialysis or store other consumable products.

What is meant by “flowable material” is a material that will flow by the force of gravity. Flowable materials therefore include both liquid items and powdered or granular items and the like.

FIG. 2 shows the port tube assembly **16**. The port tube assembly **16** has a port tube **18** and a membrane tube **20** coaxially mounted therein. A fluid passageway **22** of the membrane tube **20** is sealed by a membrane **23** positioned at an intermediate portion of the membrane tube **20**. For medical applications, the membrane **23** can be punctured by a spike of an infusion set to place the contents of the container into fluid communication with, for example, the vascular system of a patient being treated.

In a preferred form of the invention the port tube **18** is a multilayered structure and more preferably has a first layer **22** and a second layer **24**. The first layer **22** should be of a non-PVC containing material that is capable of being sealed to the sidewalls **12** of the container **10**, and preferably sealed using radio frequency sealing techniques. In a preferred form of the invention the first layer **22** is a polymer blend of: (a) from about 25% to about 50%, more preferably from about 30% to about 40%, by weight of the first layer a first polyolefin selected from the group consisting of polypropylene and polypropylene copolymers, (b) from about 0% to about 50%, more preferably from about 5% to about 40%, by weight of the first layer a second polyolefin of an α -olefin containing polymer or copolymer and more preferably is an ethylene and α -olefin copolymer; (c) from about 0% to

about 40%, more preferably from about 10% to about 40% of the first layer a radio frequency susceptible polymer selected from the group consisting of polyamides, ethylene acrylic acid copolymers, ethylene methacrylic acid copolymers, polyimides, polyurethanes, polyesters, polyureas, ethylene vinyl acetate copolymers with a vinyl acetate comonomer content from 12%–50% by weight of the copolymer, ethylene methyl acrylate copolymers with methyl acrylate comonomer content from 12%–40% by weight of the copolymer, ethylene vinyl alcohol with vinyl alcohol comonomer content from 12%–70% by mole percent of the copolymer; and (d) from about 0% to about 40%, more preferably from about 10% to about 40% of a thermoplastic elastomer by weight of the first layer.

The second layer **24** of the port tube **18** is of a non-PVC containing material that is capable of being solvent bonded to the membrane tube **20**. In a preferred form of the invention the second layer **24** is a thermoplastic elastomer or a blend of a thermoplastic elastomer in an amount by weight of from about 80% to about 100% and a propylene containing polymer from about 0% to about 20% by weight of the second layer **24**. It is also desirable, but optional, that the second layer **24** softens slightly at autoclave temperatures so that when the port tube and membrane tube assembly is steam sterilized, the port tube more tightly adheres to the membrane tube.

As shown in the Figures, the first layer has a thickness greater than the second layer. In a preferred form of the invention the first layer will have a thickness of from about 15 mils to about 40 mils and more preferably from about 20 mils to about 30 mils. The second layer will have a thickness from about 2 mils to about 10 mils and more preferably from about 3 mils to about 7 mils.

The membrane tube **20** should be fabricated from a non-PVC containing material and should be capable of being bonded to the port tube **18**, preferably using solvent bonding techniques. Solvent bonding is well known in the art. Solvent bonding typically includes applying a solvent to a polymeric material to partially dissolve the polymer. While in this dissolved state the dissolved polymer material is placed in contact with a material, such as another polymer, that the polymeric material is to be bonded to. Suitable solvents for solvent bonding of the materials of the present invention include at least the following aromatic solvents: cyclohexane, cyclohexanone, toluene, tetrahydrofuran, cumene, xylenes, diethyl benzene, decalin, tetralin and amyl benzene to name a few.

Accordingly, to solvent bond the membrane tube to the port tube, a portion of the membrane tube that is to be in contact with the port tube is exposed to the solvent, typically by dipping the relevant portion of the membrane tube into the solvent. Then the membrane tube is inserted into the membrane tube in telescoping fashion where a strong bond is formed.

In a preferred form of the invention the membrane tube **20** is a multilayered structure having an outer layer **30**, a core layer **32** and an inner layer **34**. In a preferred form of the invention the outer layer **30** is a polymer blend of: (a) from about 0% to about 60%, more preferably from about 20% to about 55% and most preferably from about 30% to about 50%, by weight of the outer layer of a polyolefin and (b) from about 40% to about 100%, more preferably from about 45% to about 80% and most preferably from about 50% to about 70%, by weight of the outer layer of a thermoplastic elastomer.

Also, in a preferred form of the invention the core layer **32** is a polymer blend of: (a) from about 35% to about 100%,

5

more preferably from about 50% to about 90% and most preferably 70% to about 90%, by weight of the core layer of a thermoplastic elastomer and (b) from about 0% to about 65%, more preferably from about 10% to about 50% and most preferably from about 10% to about 30%, by weight of the core layer of a polyolefin.

Also, in a preferred form of the invention, the inner layer **34** is a polymer blend of: (a) from about 25% to about 55%, more preferably from about 25% to about 40%, by weight of the inner layer a polyolefin; (b) from about 0% to about 50%, more preferably from about 0% to about 40% and most preferably 0% to about 20%, by weight of the inner layer a polyolefin selected from the group consisting of α -olefin containing polymers or copolymers and more preferably is an ethylene and α -olefin copolymer; (c) from about 0% to about 40% by weight, more preferably from about 15% to about 40%, of the inner layer a radio frequency susceptible polymer selected from the group consisting of polyamides, ethylene acrylic acid copolymers, ethylene methacrylic acid copolymers, polyimides, polyurethanes, polyesters, polyureas, ethylene vinyl acetate copolymers with a vinyl acetate comonomer content from 12%–50% by weight of the copolymer, ethylene methyl acrylate copolymers with methyl acrylate comonomer content from 12%–40% by weight of the copolymer, ethylene vinyl alcohol with vinyl alcohol comonomer content from 12%–70% by mole percent of the copolymer; and (d) from about 0% to about 40%, more preferably from about 15% to about 40%, by weight of the inner layer of a thermoplastic elastomer.

In a preferred form of the invention the outer layer **30** will have a thickness from about 3 mils to about 15 mils and more preferably from about 3 mils to about 10 mils. The core layer **32** will have a thickness from about 10 mils to about 35 mils and more preferably from about 10 mils to about 30 mils. The inner layer **34** will have a thickness from about 3 mils to about 15 mils and more preferably from about 5 mils to about 10 mils.

Thermoplastic elastomers include styrene and hydrocarbon copolymers, EPDM, and ethylene propylene rubber. The styrene can be substituted or unsubstituted styrene. The styrene and hydrocarbon copolymers can be block copolymer including di-block, tri-block, star block, it can also be a random copolymer and other types of styrene and hydrocarbon copolymers that are known by those skilled in the art. Styrene and hydrocarbon copolymers therefore include for example, but are not limited to, styrene-butene-styrene block copolymer, styrene-ethylene-butene-styrene block copolymers, styrene-isobutene-styrene and the numerous other varieties of styrene and hydrocarbon copolymers that are well known in the art. The styrene and hydrocarbon copolymers can also be blends of various types of the above-identified styrene and hydrocarbon copolymers.

The styrene and hydrocarbon copolymers can be modified or functionalized by carboxylic acid groups, anhydrides of carboxylic acids, esters of carboxylic acids, epoxy groups and carbon monoxide. In a preferred form of the invention the thermoplastic elastomer of the first layer **22** of the port tube **18** and the inner layer **34** of the membrane tube **20** is an SEBS copolymer with a maleic anhydride group in an amount by weight of about 2% or less. Such a copolymer is sold by Shell Chemical Company under the tradename KRATON® FG1924X and FG1901X.

The thermoplastic elastomer of the second layer **24** of the port tube **18** and the outer layer **30** of the membrane tube **20** is preferably a styrene and diene copolymer more preferably selected from the group consisting of styrene-ethylene-

6

butene-styrene copolymers, and styrene-isoprene-styrene copolymers. More preferably the thermoplastic elastomer of the second layer is an ethylene butene copolymer, and more preferably a styrene-ethylene-butene-styrene copolymer. It has been found that such a copolymer is well suited for solvent bonding. Suitable SEBS copolymers are sold by Shell Chemical Company under the tradename KRATON® KG1657.

The thermoplastic elastomer of the core layer of the membrane tube is an SEBS copolymer containing a high proportion of triblock. Suitable polymers are sold by Shell Chemical Company under the tradename KRATON® KG1660, KG1652 and KG1650.

Suitable polypropylene polymers include homopolymers and copolymers. Suitable comonomers are α -olefins having from 2 to 17 carbons and most preferably is ethylene in an amount by weight from about 1 to about 8% by weight of the copolymer.

Suitable α -olefin containing polymers include homopolymers, copolymers and interpolymers of α -olefins having from 2 to 17 carbons. Suitable ethylene α -olefin copolymers of the first layer **22** of the port tube **18** and the inner layer **34** of the membrane tube **20** have a density, as measured by ASTM D-792, of less than about 0.915 g/cc, more preferably less than about 0.905 g/cc, and are commonly referred to as very low density polyethylene (VLDPE), ultra low density polyethylene (ULDPE) and the like. In a preferred form of the invention, the ethylene and α -olefin copolymers are obtained using a single site catalyst such as metallocene catalysts, vanadium catalysts and the like. Suitable catalyst systems, among others, are those disclosed in U.S. Pat. Nos. 5,783,638 and 5,272,236. Suitable ethylene and α -olefin copolymers include those sold by Dow Chemical Company under the AFFINITY tradename, Dupont-Dow under the ENGAGE tradename, Exxon under the EXACT tradename and Phillips Chemical Company under the tradename MARLEX.

The port tube assembly, in a preferred form of the invention satisfies the following physical properties: (1) has a spike insertion force of less than about 35 lbs on average, (2) has a spike removal force of greater than about 5 lbs on average. The pull force to separate the membrane tube from the port tube is greater than the spike removal force.

The following is a non-limiting example of the present invention.

EXAMPLES

A two layered port tube having an outer and an inner layer was coextruded. The inner layer had a thickness of 0.006 inches and was fabricated from SEBS. The outer layer had a thickness of 0.026 inches and was fabricated from a polymer blend by weight of the outer layer of 35% polypropylene/5% ultra low density polyethylene/30% dimer fatty acid polyamide/30% SEBS with maleic anhydride functionality.

A three layered membrane tube was coextruded having an inner layer, a core layer and an outer layer. The inner layer is a polymer blend by weight 30% polypropylene/35% dimer fatty acid polyamide/35% SEBS. The core layer was a blend of 85% SEBS and 15% polypropylene. The outer layer was 45% SEBS and 55% polypropylene. The inner layer had a thickness of 0.003 inches, the core layer 0.023 inches and the outer layer 0.006 inches.

Polymeric sheeting was extruded from a blend by weight of 10% dimer fatty acid polyamide, 35% ultra low density polyethylene, 45% polypropylene and 10% SEBS with maleic anhydride functionality.

7

Two rectangularly-shaped sheets of the polymeric sheeting were placed into registration and sealed along 3 peripheral edges to define a pouch. A port tube segment was inserted into an open end of the pouch and was heat sealed therein while sealing the final peripheral edge to define a container. A membrane tube segment was dipped into cyclohexanone and inserted in a telescoping fashion into the port tube segment.

The container was bolted down proximate a mechanical tester. The port tube was attached to a spike attached to a cross-head of the mechanical tester. The cross-head speed of the tester was set at 20 in/min. The cross-head was set to achieve the desired spike insertion depth in the port tube. The tester allowed for measuring the spike insertion force and the spike removal force. The average spike insertion value after 50 tests was 13.31 lbf. The average spike removal force for 50 tests was 10.37 lbf. These measurements were made after the spike dwelled in the membrane tube for 24 hours.

The tester was also used to determine the pull force necessary to remove the port tube from the container or to otherwise damage the container or port tube. The port tube was inserted into the tester with the container bolted down. The average pull force for 28 tests was 30.04 lbf. This test was conducted prior to steam sterilizing the container. The value for 30 test after the container was steam sterilized was 42.68 lbf.

We claim:

1. A multiple layered non-PVC containing tubing comprising:

a first layer of a polymer blend composed of: (a) from about 25% to about 50% by weight of the first layer of a first polyolefin selected from the group consisting of polypropylene and polypropylene copolymers, (b) from about 1 to about 50% by weight of the first layer of a second polyolefin selected from the group consisting of ethylene copolymers, ultra-low density polyethylene, polybutene, polybutadiene and butene ethylene copolymers; (c) from about 1% to about 40% by weight of the first layer of a radio frequency susceptible polymer selected from the group consisting of polyamides, ethylene acrylic acid copolymers, ethylene methacrylic acid copolymers, polyimides, polyurethanes, polyesters, polyureas, ethylene vinyl acetate copolymers with a vinyl acetate comonomer

8

content from 12%–50% by weight of the copolymer, ethylene methyl acrylate copolymers with methyl acrylate comonomer content from 12%–40% by weight of the copolymer, ethylene vinyl alcohol copolymer with vinyl alcohol comonomer content from 12%–70% by mole percent of the copolymer; (d) from about 1% to about 40% of a first thermoplastic elastomer; and

a second layer disposed coaxially within the first layer and being a second thermoplastic elastomer composed solely of a styrene and diene copolymer.

2. The tubing of claim 1 wherein the polyamide is selected from a group consisting of aliphatic polyamides resulting from the condensation reaction of diamines having a carbon number within a range of 2–13, aliphatic polyamides resulting from a condensation reaction of di-acids having a carbon number within a range of 2–13, polyamides resulting from the condensation reaction of dimer fatty acids, and amide containing copolymers.

3. The tubing of claim 1 wherein the polyamide is a dimer fatty acid polyamide.

4. The tubing of claim 1 wherein the first polyolefin is a propylene copolymerized with a monomer selected from the group consisting of α -olefins having from 2–17 carbons.

5. The tubing of claim 4 wherein the first polyolefin is a propylene and ethylene copolymer having an ethylene content of from about 1% to about 8% by weight of the first polyolefin.

6. The tubing of claim 1 wherein the second thermoplastic elastomer has a polymer structure selected from the group consisting of diblock, triblock, radial block, and star block.

7. The tubing of claim 6 wherein the second thermoplastic elastomer is selected from the group consisting of styrene-ethylene-butene-styrene copolymers and styrene-isoprene-styrene copolymers.

8. The tubing of claim 7 wherein the second thermoplastic elastomer contains styrene-ethylene-butene-styrene diblock copolymer and a styrene-ethylene-butene-styrene triblock copolymer.

9. The tubing of claim 1 wherein the second polyolefin is an ethylene copolymerized with a monomer selected from the group consisting of α -olefins.

10. The tubing of claim 9 wherein the ethylene and α -olefin copolymer is obtained using a single-site catalyst.

* * * * *